

FITMENT INSTRUCTIONS



FORD RANGER (P703)

DOUBLE-&-EXTENDED CAB

XTREME, XPEDITION & RHINOLITE

**Important Notice:**

Installation of a J-brace bracket by a Ford-approved fitment center is compulsory before installing a canopy to ensure proper bin reinforcement.

FITMENT KIT CONTENTS

DESCRIPTION	QUANTITY	ILLUSTRATION
• M8x25 Hexagonal Bolt	8	
• M8x30 Hexagonal Bolt	8	
• M8 Nylock Nut	8	
• M8 Body Washer	8	
• M8 Flat Washer	16	
• Cab Side Bracket LH	1	
• Cab Side Bracket RH	1	
• Tail Gate Bracket LH	1	
• Tail Gate Bracket RH	1	

REQUIRED TOOLS

DESCRIPTION	ILLUSTRATION
• T40 / T45 Torx Key / Star allen key	
• 8mm Spanner	
• 8mm Socket Wrench (Optional)	
• 13mm Spanner	
• 13mm Socket Wrench (Optional)	

INSTALLATION TIME & CARE INSTRUCTIONS

Approx. 45 Minutes (Excluding the removal of any accessories from load bin)

- ✓ Before installation, ensure that your hands and workwear are clean from oil, grime & dirt.
- ✓ Ensure that the correct tools and PPE are used whilst installing the canopy. Clean the rear cab window before fitting the canopy.
- ✓ Torque all M8 fasteners to approx. 28Nm.

FITMENT STEPS

STEP 1

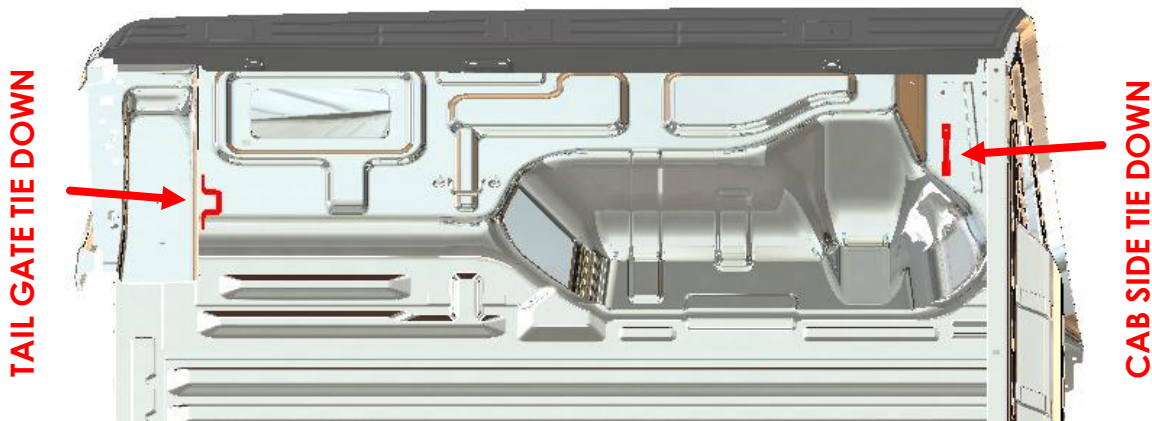
- ✓ Unpack all components and hardware from packaging, ensure that all components are accounted for as indicated above.

STEP 2

- ✓ Remove any cab guards, roll bar, tonneau cover, sports bar etc. from vehicle.

STEP 3

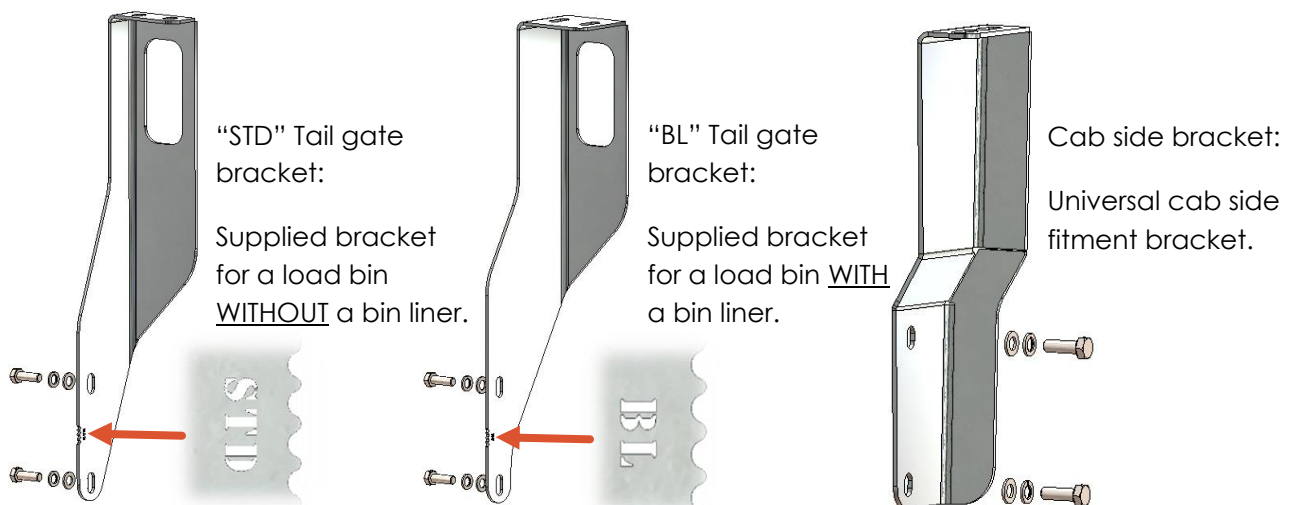
- ✓ Remove the indicated factory fitted tie-down brackets with a T40 / T45 Torx key.



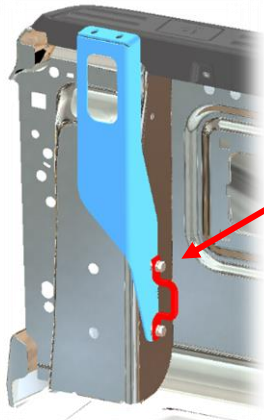
Remove the tie-down brackets on both sides of the vehicle.

- ✓ Identify and fit the supplied cab side and tail gate side brackets to the tie down points with their respective bolts. Hand tighten to keep each bracket in place.

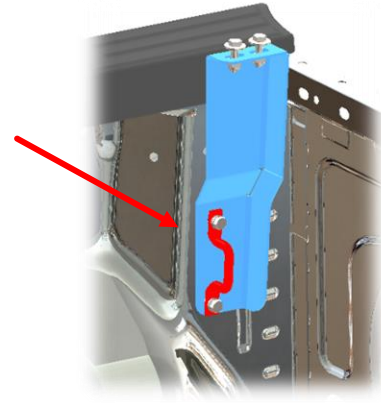
Fast-set required to fix each fitment bracket to the abovementioned tie down points: 2 x M8 spring washers, 2 x M8 flat washers, 2 x M8 x 25 hexagonal bolts.



Fitment bracket orientation:



***NOTE:**
The factory fitted tie down brackets can be placed over the fitment brackets.



STEP 4

- ✓ Ensure that the rear cab window of the vehicle is clean, before loading the canopy onto the load bin.
- ✓ Load the canopy onto the load bin, space evenly to ensure that the fitment holes on the canopy and the fitment brackets align.
- ✓ When the canopy is resting on the load bin, adjust the brackets to achieve a gap of approx. 6mm between the bottom of the canopy fastening surface and the bracket top surface. (Fig2.)
- ✓ Secure the brackets to the load bin tie down points by fastening the bolts slowly & securely.
- ✓ Secure the canopy to the brackets using a M8 x 30 Hexagonal bolt and M8 body washer from the top, with a M8 flat washer and M8 Nylock nut from the bottom. Tighten all bolts until the canopy fastening points is flat against the fitment brackets.

FIG 1.

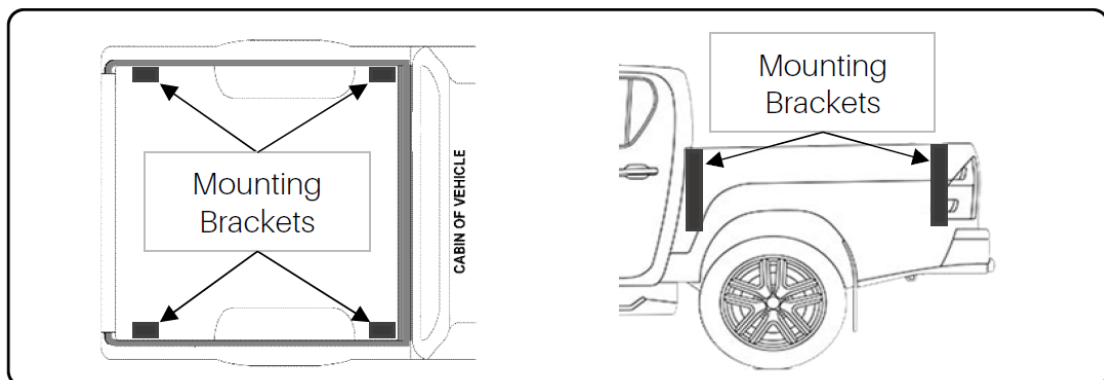
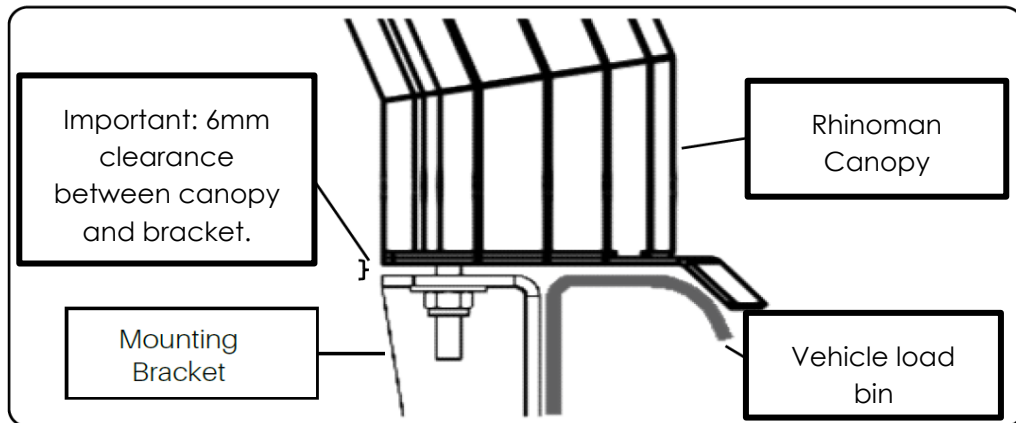


FIG 2.



STEP 5

- ✓ Trim sealing rubber on tailgate with knife or scissors to suit.
- ✓ Confirm alignment of canopy and the rubber seal all around.
- ✓ Check all bolts one final time.
- ✓ Enjoy your NEW Rhinoman canopy.

WARRANTY SERVICE & CARE GUIDE

- ✓ All Rhinoman products carry a comprehensive 2-year factory warranty.
- ✓ **PLEASE NOTE:** Your canopy will only be covered under warranty if it has been fitted by an approved Rhinoman fitment center or agent.
- ✓ Please do inspect the fasteners on the fitment brackets every once in a while, to ensure that all bolts are still tight and properly secured.

SHOULD YOU HAVE ANY ENQUIRIES ABOUT THE FITMENT, FEEL FREE TO CONTACT US



010 010 0060



SALES@RHINOMAN.CO.ZA



RHINOMAN.CO.ZA